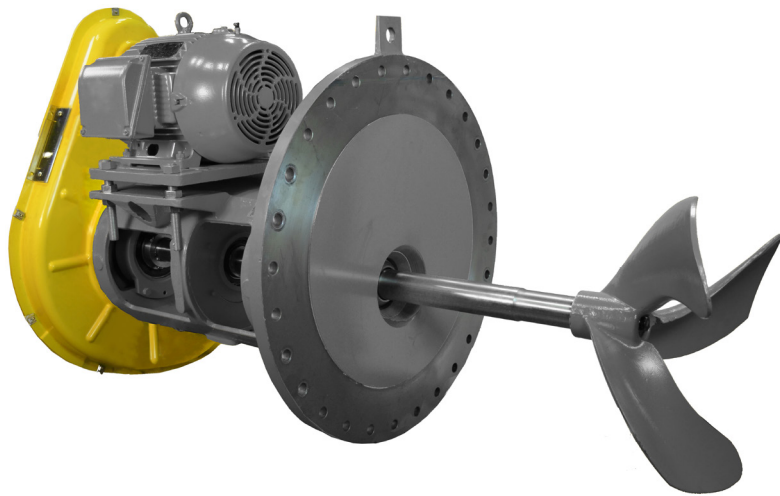




Is your BSE unit ready for an overhaul? Upgrade\* your BSE to a BSE+ by taking advantage of the best features on the market with our industry leading BSE mixer design and the convenience of service at one of our [Premier Service Centers](#).

Whether it's our factory service centers in Houston, TX or Palmyra, PA, or whether it's one of our authorized service providers' centers throughout North America, you will enjoy expert service and genuine parts as you upgrade your BSE with the following key enhancements.

## BSE+ PROGRAM KEY FEATURES



### The BSE+ Rotating Elements Kit includes these new OEM Parts:

- Agitator Shaft
- Inboard Bearing Assembly
- Outboard Bearing Assembly
- PMSL Cartridge Mechanical Seal
- Dual Seal Insert Flange O-rings
- PowerGrip® GT® Carbon High Performance Belt
- Swivel Ball Seal (swivel angle units only)
- PMSL Advanced Pitch Propeller
- Replacement Driver & Driven Sprockets (ratio change on an as needed basis)

Take advantage of this program by modernizing your existing BSE to a BSE+ mixer, allowing you to enjoy the upgraded benefits of:

- **Agitator Shaft** - solid bar 304 stainless steel for reduced moment loading and increased seal life as well as eliminates H<sub>2</sub>S corrosions and shaft pitting
- **Inboard Clamp Style Coupling** – compression coupler eliminates shaft movements and increases seal reliability
- **Cartridge Style Mechanical Seal** – ease of maintenance with no critical measurements required
- **Advanced Pitch Propeller** – patented propeller technology develops equal flows, double velocities while reducing power consumption by up to 50%
- **Economic Inventory Support** – new UPGRADED parts are in stock at our local warehouse and ASP locations for quick delivery now and for future needs
- **New Warranty Coverage** – with service by PMSL or one of its ASPs (authorized service providers)

To order your rotating elements kit, register at [shop.philamixers.com](http://shop.philamixers.com) and click on [BSE+ Rotating Elements Kit](#).

If you would like to have PMSL or its ASP service your BSE with the BSE+ upgrade, please locate your sales contact by clicking [Locate My Sales Contact](#).

\*Only applicable to BSE sizes 08, 10 and 12

