

The PVE™ Mixer Drive

Heavy Duty For Heavy Loads



**PHILADELPHIA
MIXING
SOLUTIONS, Ltd.**



**MIXING
SOLUTIONS
LIMITED**

PVE Mixer Drive Series

PVE/PSA mixer drive is the next generation of design for heavy duty performance. Designed for strength, reliability, and durability in extreme conditions.

PINIONS AND GEARS

Carburized, ground helical gears provide quiet operation with greater shock and load capacity.

PILOTED C-FACE MOTOR MOUNT DESIGN

Eliminates foot mounted alignment issues that could lead to premature failure.

OIL LUBRICATION

Oil dip and splash for bearing and gearing lubrication.

MANUFACTURED MIXER HOUSING

Rigid housing preserves gearing and bearing alignment extending life and reliability.

DRYWELL DESIGN

Eliminates oil leakage and contamination.

EXTENDED BEARING SPAN

Larger bearings spaced further apart to handle overhung loads inherent to mixing applications.

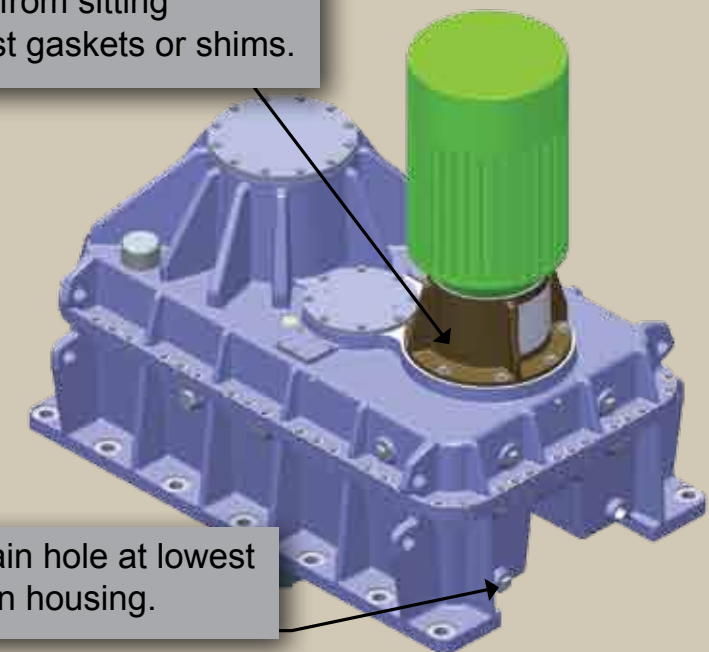
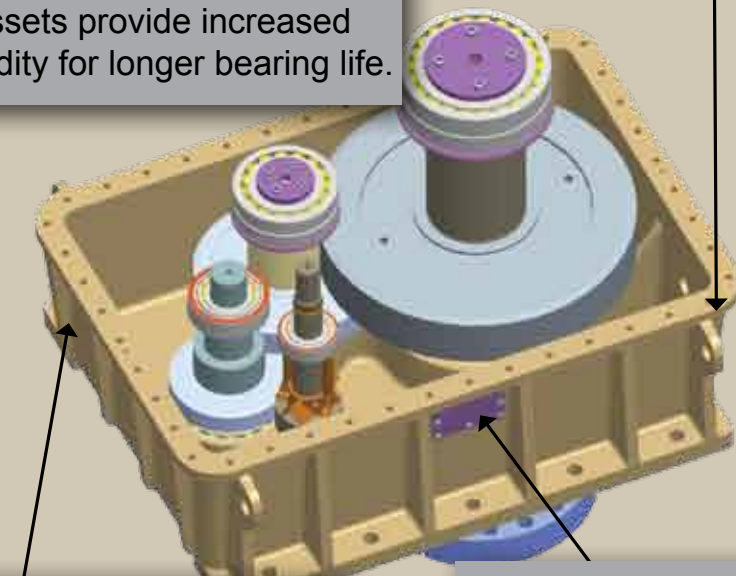
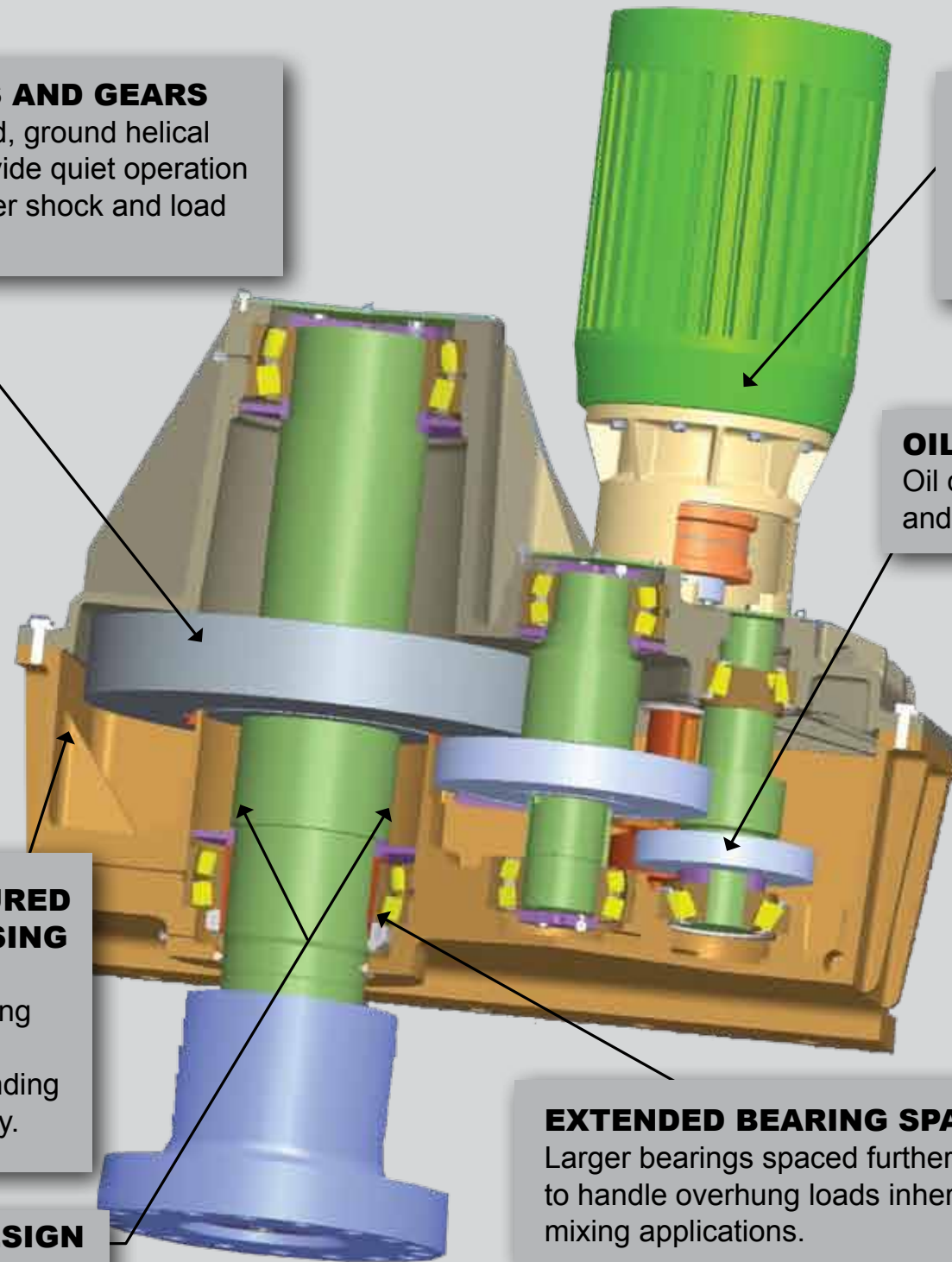
Internal and external gussets provide increased rigidity for longer bearing life.

No thru holes in housing eliminates chances of oil leakage.

Inspection windows allow quick internal component inspection without removing upper housing.

Raised bosses eliminate water from sitting against gaskets or shims.

Oil drain hole at lowest point in housing.



Philadelphia Mixing Solutions, Ltd.™

Philadelphia Mixing Solutions and its subsidiary, Mixing Solutions, operate one of the world's largest and most comprehensive mixing laboratories dedicated to agitation and aeration process optimization. With over 60 years experience, Philadelphia Mixing Solutions continues to be a leader and innovator in the design and manufacture of agitation and aeration equipment.

Philadelphia Mixing Solutions serves industries that value superior operational performance and reliability. Philadelphia Mixing Solutions has expanded its reach internationally to provide products, technical services and field support to customers around the world.

Our mixing process experts can build the right solution for your unique mixing requirements to:

- Partner with you on projects to meet your unique needs
- Model mixing outcomes using the latest technology in mixing diagnostics
- Provide superior blending for reduced power consumption
- Design equipment for mechanical reliability and operational durability
- Provide follow-up support to ensure system success for your business
- Reduce maintenance costs and increase operating uptime
- Improve operating efficiency and finished product quality
- ISO 9001:2008



Corporate Headquarters: **+1-717-832-2800**
European Headquarters: **+44 (0)1635 275300**

www.philamixers.com ♦ www.mixingsolutions.com