


**1. TANK DATA**

Tank #: \_\_\_\_\_  
 Diameter: \_\_\_\_\_ Height: \_\_\_\_\_  
 Gross Volume: \_\_\_\_\_ Net Volume: \_\_\_\_\_

**2. MOUNTING FLANGE DATA**

Manhole/Nozzle Standard: \_\_\_\_\_

	Position 1	Position 2	Position 3	Position 4
Size:				
Outside Dia:				
Bolt Circle Dia:				
Raised Faced Dia:				
# of Bolts:				
Bolt Hole Dia:				
Flange Thickness:				
Flange Protection:				

Indicate nozzle locations on sketch (see pg 2)

Some tank mixers require a bracket be welded to the tank shell, is this permitted?      Yes      No

**3. PRODUCT DATA**

Sequence	First	Second	Third	Fourth
Name:				
Proportion (%):				
Viscosity at Inlet Temp (cP):				
Operating Temp (°F):				
Specific Gravity:				

**4. OPERATING DATA**

Purpose:      Blending      Homogenizing      S&W Control      Temperature Uniformity      Other

If "Other", please define duty: \_\_\_\_\_

Operating during filling:      Yes      No

Allowable blend time after completion of pump-up: \_\_\_\_\_

\*\*Blending during pump-up means operating the mixer(s) for a certain period of time during pump-up and then for the same amount of time upon completion of pump-up. For example, the mixers are operated during the last 6 hours of filling, and then for an additional six hours, to give a total blending time of 12 hours.

**5. ATEX Requirements (For European Member State Installations Only)**

	Inside Tank	Outside Tank	Options
ATEX Group			GII (Mixer Applications above ground only)
ATEX Category			CAT 2 or CAT 3
Zones			Gas= 1 or 2    Dust = 21 or 22 (ref CAT 2 or 3 respectively-G & D)
ATEX Hazard			G=Gas    D=Dust    GD= Gas & Dust
Gas Groups			11A, 11B, or 11C
Temperature Class			Range T1 ~T6
Process Temp/Ambient Temp			°F

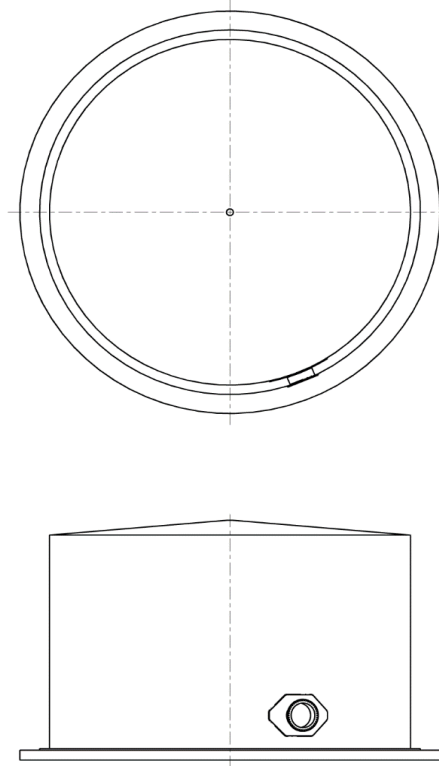
**6. MOTOR/ELECTRICAL DATA**

Furnished by: PMSL Distributor User  
 Mounted by: PMSL Distributor User  
 US Classification: Exp Proof C1D1 Groups C & D TEFC C1D2 Groups C & D  
 Euro Classification: EExd (Zone 1) EExn (Zone 2) Safe Area  
 Power Supply: \_\_\_\_\_ Volts \_\_\_\_\_ Phase \_\_\_\_\_ Hz  
 \*\* Please provide a motor specification if applicable, or detail any additional requirements

**7. COMMENTS**

**8. LOCATION DATA**

Indicate position of Inlet/Outlet & Mixer mounting locations.  
 (Include projection dimension)



**9. CUSTOMER DATA**

Customer: \_\_\_\_\_  
 Address: \_\_\_\_\_  
 \_\_\_\_\_  
 \_\_\_\_\_  
 Phone: \_\_\_\_\_  
 Fax: \_\_\_\_\_  
 Email: \_\_\_\_\_  
 Contact: \_\_\_\_\_  
 Project Ref: \_\_\_\_\_